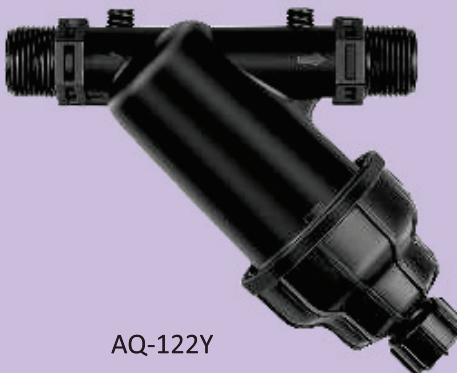


# Y Type Screen Filters

¾" & 1"



AQ-121Y



AQ-122Y

Specifications	121Y		122Y	
	US Standard	Metric Standard	US Standard	Metric Standard
Inlet/outlet connection	¾" NPT male thread	¾" BSP male thread	1" NPT male thread	1" BSP male thread
Max. Working Pressure (PPGF Filter)	110 Psi	8 kg/cm <sup>2</sup>	110 Psi	8 kg/cm <sup>2</sup>
Max. Working Pressure (PA Filter)	145 Psi	10 kg/cm <sup>2</sup>	145 Psi	10 kg/cm <sup>2</sup>
Range of Flow Rate	17-26 GPM	4-6 m <sup>3</sup> /h	22-35 GPM	5-8 m <sup>3</sup> /h
Nominal Flow Rate	22 GPM	5 m <sup>3</sup> /h	30 GPM	7 m <sup>3</sup> /h
Filtration Surface area	18.6 in <sup>2</sup>	120 cm <sup>2</sup>	18.6 in <sup>2</sup>	120 cm <sup>2</sup>
Material of Construction	Glass Filled Polypropylene/ Polyamide		Glass Filled Polypropylene/ Polyamide	
Screen Material	SS-316 Grade		SS-316 Grade	
Cartridge Diameter (With O-ring)	1.89 in	48 mm	1.89 in	48 mm
Cartridge Length	5.98 in	152 mm	5.98 in	152 mm
Available Mesh	80, 120, 150 mesh	80, 120, 150 mesh	80, 120, 150 mesh	80, 120, 150 mesh

Head Loss : AQ -121Y					
Flow, m <sup>3</sup> /h	2	3	4	5	6
Pressure Loss, kg/cm <sup>2</sup>	0.06	0.11	0.2	0.3	0.43
Flow, GPM	8.8	13.2	17.6	22	26.4
Pressure Loss, Psi	0.85	1.56	2.84	4.26	6.11

Head Loss : AQ -122Y						
Flow, m <sup>3</sup> /h	4	5	6	7	8	9
Pressure Loss, kg/cm <sup>2</sup>	0.20	0.26	0.33	0.45	0.55	0.69
Flow, GPM	17.6	22	26.4	30.8	35.2	39.6
Pressure Loss, Psi	2.84	3.69	4.69	6.39	7.81	9.80

### Filtering Element

80 Mesh  120 Mesh  150 Mesh 



E-mail: [contactus@automatworld.com](mailto:contactus@automatworld.com)  
 Website: [www.automatworld.com](http://www.automatworld.com)

*Creating a Green World*